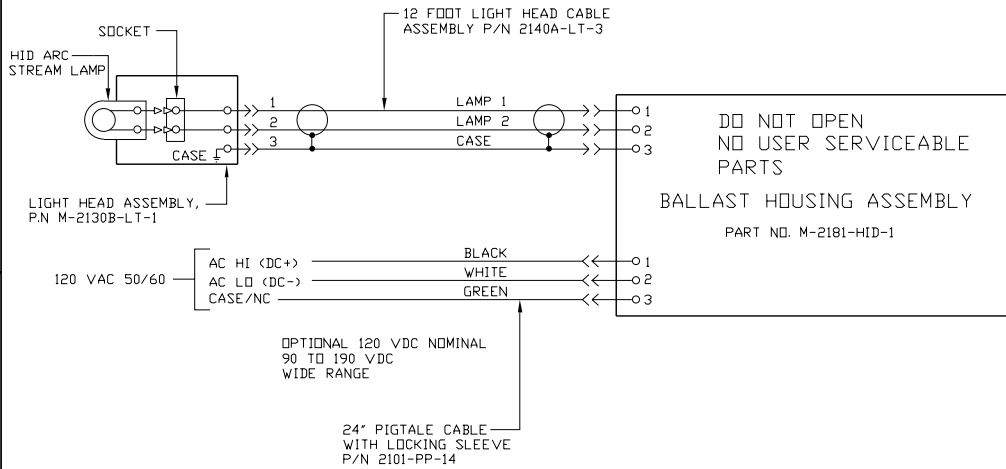


DATE	REV	ECD NUMBER	AUTH.	DR.	CK.



DO NOT OPEN
NO USER SERVICEABLE
PARTS
BALLAST HOUSING ASSEMBLY
PART NO. M-2101-HID-1

MATERIAL	QTY	DATE	3/23/06
PLATING:	1	CHK:	
ALL HARDWARE ANODIZE PER MIL-A-8625C OR EQUIV. HANG AS INSTRUCTED. BUILD UP PER SURFACE COLOR NATURAL (CLASS 1)		TOLERANCES (UNLESS OTHERWISE SPEC)	
ALL GOLD ALDINE/BRITE #15 CHEMICAL FINISH ON UNMATED ALUM. PARTS		XXX ± .010 XXX ± .005 1. DIA ± .002 O. DIA ± .002 ANGULAR ±	ASSY BY: SUB-ASSEMBLY: TITLE: 150W SINGLE BALLAST HID LIGHT INTERCONNECT DIAGRAM
BREAK ALL SHARP EDGES R.015 MAX TYP ALL MACHINED SURFACES .63/ UNLESS OTHERWISE SPECIFIED		PROPRIETARY AND COMPANY CONFIDENTIAL (C) COPYRIGHT 2002	DWG. SZ: DWG NO. E-2153-HID-9 REV. 9 UNITS: INCHES (MKS DIMENSIONS) SCALE: NONE SHEET 1 OF 1

DEEP SEA SYSTEMS
INTERNATIONAL, INC.
508-540-8732